



**Power Cord Access**



**Latch Lock Drawers**



**Gas Struts**



**Ball Bearing Slides**



**Key Lock**



Edition : 1.0  
Date: (12/24)

# Instruction Manual

## PROFESSIONAL SERIES TOOL CHEST TPS-568C

Order Code: (T6880)

## PROFESSIONAL SERIES

### BEFORE ASSEMBLING

Please read this instruction manual before assembly.



#### CAUTION

Before assembly please pay attention to the following points in priority;

**Confirmation of components:** Before assembling, please confirm all parts arrived and are in good order.

**Site for assembly:** Please assemble it on the soft floor such as smooth carpet and flannel blanket. When you assemble on wooden floor, please put thin towels on the floor.

**Points for attention when assembling:** Please wear gloves to ensure that it can be assembled safely, and use two persons to help in the assembly process.

### SAFETY INFORMATION

1. Persons other than professionals should not disassemble, repair or modify the product.
2. Keep children, infants and pregnant women away from installation places.
3. Center securely within lip on top of roller cabinet.
4. Place on top of matching roller cabinet only.
5. Do not lift while loaded.
6. Do not place objects on top or hang objects off side.
7. Evenly distribute load from bottom up. Uneven loading causes tipping. Be aware of dynamic loading! Sudden movement may briefly create excess load causing tipping.
8. Do not overload and make sure all drawers are closed and locked when moving.
9. Do not open more than one drawer at a time and make sure tools are evenly distributed inside.
10. Do not perform welding, hammering or disassembly work on top plate.



**CAUTION:** Do not stand on this product. You may fall which may cause personal injury or product damage.



**CAUTION:** Keep the product on level surfaces. The product may become unstable and tip if stored or moved on an un-level surface, which may cause personal injury or product damage.



**CAUTION:** Be careful when opening more than one drawer. The product may become unstable and tip, which may cause personal injury or product damage.



**CAUTION:** Lock the drawers before moving this product. The drawers could come open and make the product unstable and tip, which may cause personal or product damage.



**CAUTION:** Place tool chest inside inner lip on top of chest or cabinet. Make sure tool chest sits flush on roller cabinet. Only use matching roller cabinet.



**CAUTION:** Do not lift while loaded. Have assistant help place on roller cabinet while using the correct mechanical lifting aids.



### SPECIFICATIONS

Overall size: 1422 x 546 x 674mm (WxDxH)

Package size: 1490 x 614 x 840mm (WxDxH)

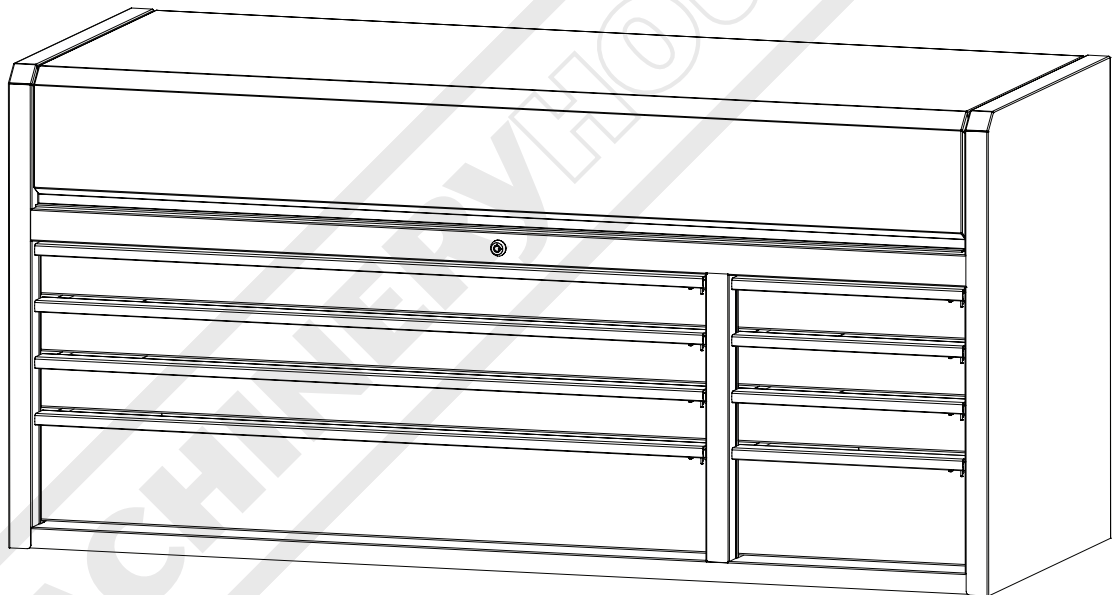
3 drawers (Rows 1,2,3 LHS): 970 x 500 x 75mm (50kg Per Drawer)

1 drawer (Bottom drawer, LHS): 970 x 500 x 153mm (100kg Per Drawer)

3 drawers (Rows 1,2,3 RHS): 335 x 500 x 75mm (50kg Per Drawer)

1 drawer (Bottom drawer, RHS): 335 x 500 x 153mm (100kg Per Drawer)

Nett Weight: 120kg



Keys (x4)



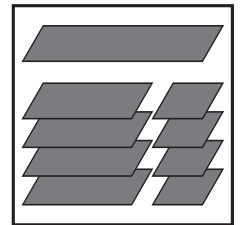
Gas Struts (x2)



Cable Access Points (x1)



Full-Width Drawer Opening Latches (x8)



Foam Liners (x9)

### KEY LOCK OPERATION

**LID CLOSED** - Key Lock will lock the entire tool chest and drawers

**LID OPEN** - Drawers can be locked separately with lid in the open position.

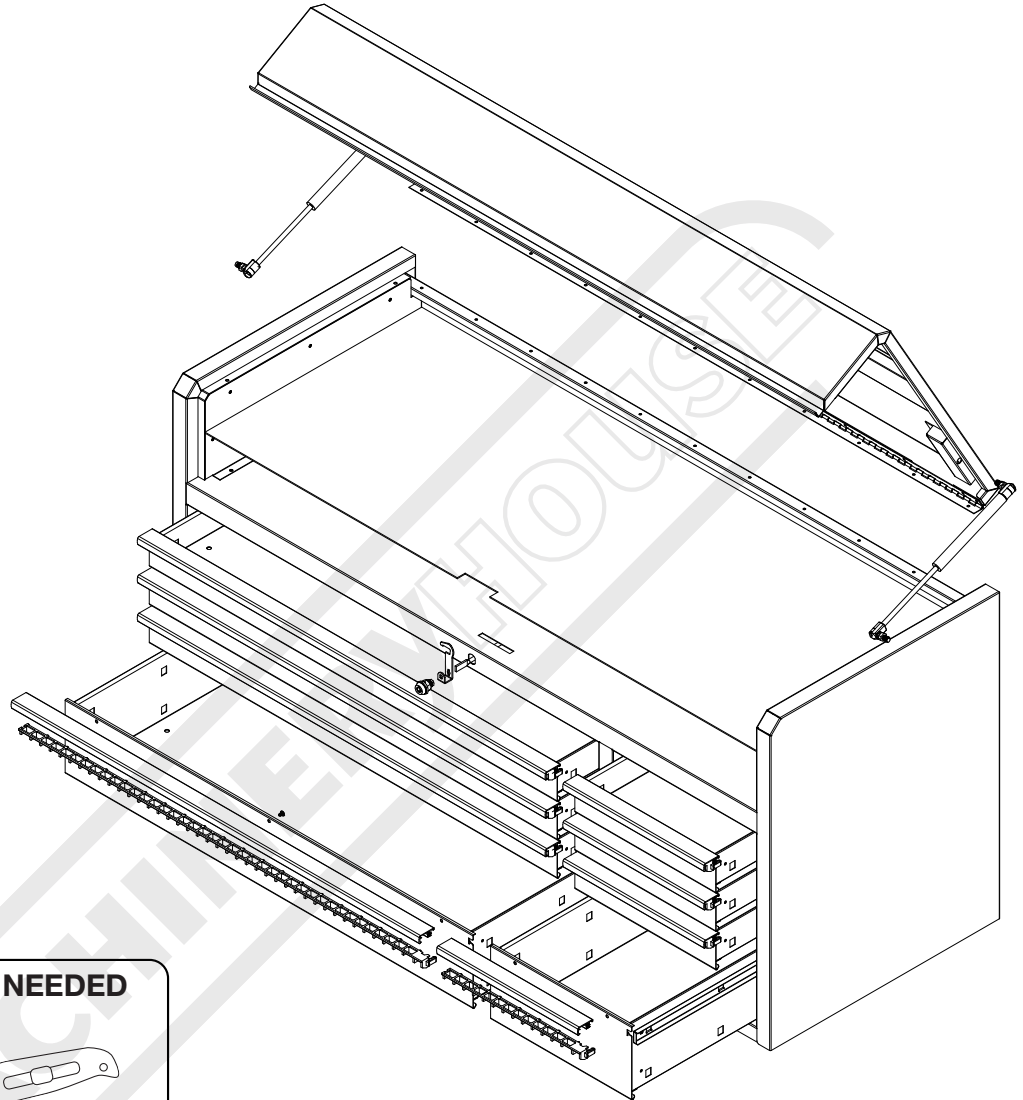
**DRAWER LATCHES** - Each drawer is fitted a full-width drawer opening latch.

# TOOL CHEST

## PROFESSIONAL SERIES



### UNPACKING INSTRUCTIONS



#### TOOLS & ASSISTANCE NEEDED



Utility Knife

\*Tools not included



#### 1. Unbox the Tool Chest:

Use a knife to carefully open the carton and remove the tool chest. Be cautious to avoid damaging the contents.

#### 2. Unlock and Prepare:

Using the keys provided, unlock the tool chest. Align the foam liners inside each drawer to ensure they are properly positioned.

#### 3. Lifting and Positioning:

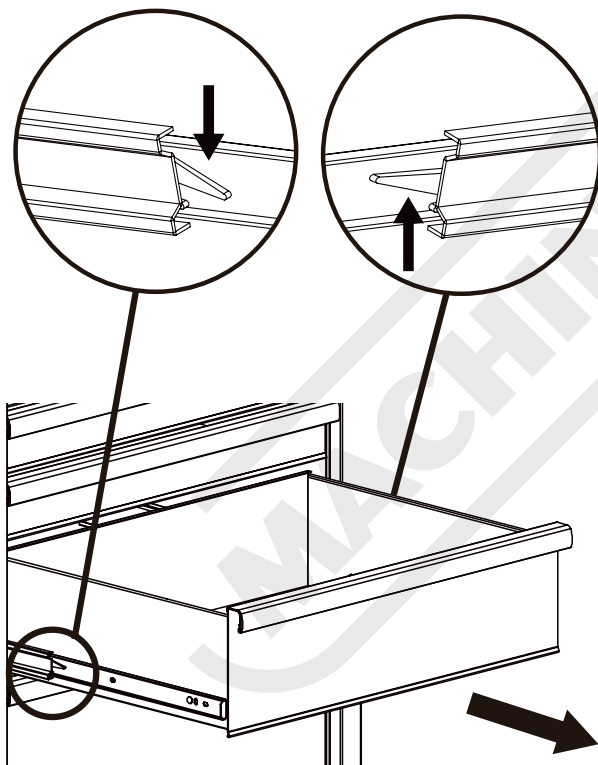
The tool chest weighs 120 kg, so it is important to use proper lifting techniques. Ensure you have assistance or appropriate lifting equipment to move it into its final position.

### DRAWER OPERATION

1.

#### Removing the drawers

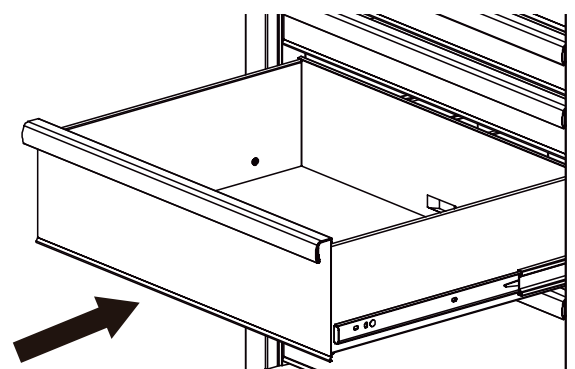
- Unlock the safety latch and fully extend the empty drawer.
- Push up the one release lever while pulling down on the other release lever.
- Pull the drawer outward until it is released from the drawer slide.



2.

#### Re-inserting the drawers

- Extend the drawer slides.
- Insert the brackets on each side of the drawer into the slots in the slides, being careful that they are properly positioned.
- Once properly inserted, completely close the drawer to set the slides in their proper positions and make sure you go all the way in to engage the safety lock system.



### MAINTENANCE

1. Wheel maintenance: Grease the wheels annually using high-quality bearing grease.
2. Drawer maintenance: Lubricate the slides semi-annually with high-quality bearing grease.



#### **ENVIRONMENT PROTECTION**

Recycle unwanted materials instead of disposing of them as waste. All tools, accessories and packaging should be sorted, taken to a recycling centre and disposed of in a manner which is compatible with the environment. When the product becomes completely unserviceable and requires disposal, drain any fluids (if applicable) into approved containers and dispose of the product and fluids according to local regulations.

Imported by

**HARE & FORBES**  
**MACHINERYHOUSE**

**Australian Distributor**

Hare & Forbes  
Machineryhouse  
Sydney - Melbourne  
Adelaide - Brisbane - Perth

Ph: 1300 202 200  
[www.machineryhouse.com.au](http://www.machineryhouse.com.au)

**MACHINERYHOUSE**

**New Zealand Distributor**

Machineryhouse  
Auckland  
Christchurch

Ph: 0800 142 326  
[www.machineryhouse.co.nz](http://www.machineryhouse.co.nz)